

FEATURES

- Integrated X- and Y-axis gyro on a single chip
- Factory trimmed full scale range of $\pm 500^\circ/\text{sec}$
- Integrated low-pass filters
- Superior vibration rejection over a wide frequency range
- High cross-axis isolation by design
- 3V single supply operation
- 5000 g shock tolerance
- RoHS compliant (completely lead free)
- 6 x 6 x 1.5mm QFN package

APPLICATIONS

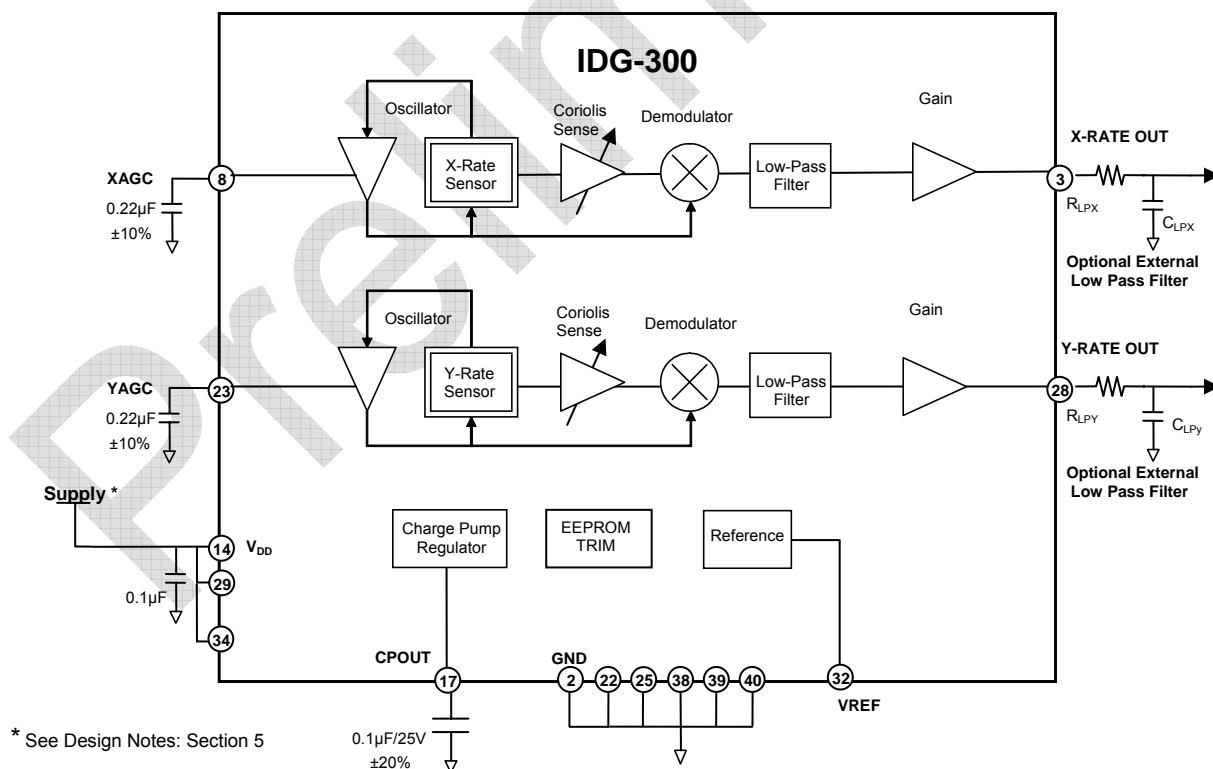
- Inertial measurement units (IMUs)
- Handheld GPS navigation devices
- Radio controlled helicopters
- Toys and game consoles
- Robotic and power tools
- Antenna positioning
- Remote control

GENERAL DESCRIPTION

The IDG-300 is an integrated dual-axis angular rate sensor (gyroscope). It uses InvenSense's proprietary and patented MEMS technology with vertically driven, vibrating masses to make a functionally complete, low-cost, dual-axis angular rate sensor. All required electronics are integrated onto a single chip with the sensor.

The IDG-300 gyro uses two sensor elements with novel vibrating dual-mass bulk silicon configurations that sense the rate of rotation about the X- and Y-axis (in-plane sensing). This results in a unique, integrated dual-axis gyro with guaranteed-by-design vibration rejection and high cross-axis isolation. It is specifically designed for demanding consumer applications requiring low cost, small size and high performance.

The IDG-300 gyro includes integrated electronics necessary for application-ready functionality. It incorporates X- and Y-axis low-pass filters and an EEPROM for on-chip factory calibration of the sensor. Factory trimmed scale factors eliminate the need for external active components and end-user calibration. This product is lead-free and Green Compliant.





Reference Application Diagram

SPECIFICATIONS

All parameters specified are @ VDD=3.0 V and T=25°C. External LPF @ 2kHz. All specifications apply to both axes.

Parameters	Conditions	Min	Typical	Max	Unit
SENSITIVITY Full-Scale Range Sensitivity Initial Calibration Tolerance Over Specified Temperature Nonlinearity Cross-axis Sensitivity	Best Fit Straight Line	-5	±500 2.0 ±10 <1 ±2	+5	°/s mV/°/s % % % of FS %
ZERO-RATE OUTPUT Static Output (Bias) Initial Calibration Tolerance Over Specified Temperature		-100 -300	1.5	+100 +300	V mV mV
FREQUENCY RESPONSE High Frequency Cutoff LPF Phase Delay	Internal LPF -90° 10Hz		140 -4.5		Hz °
MECHANICAL FREQUENCIES Resonant Frequency Resonant Frequency Frequency Separation	X-Axis Gyroscope Y-Axis Gyroscope X and Y Gyroscopes	10 13	12 15 3	14 17	kHz kHz kHz
OUTPUT DRIVE CAPABILITY Output Voltage Swing Capacitive Load Drive Output Impedance	Load = 100kΩ to V _{dd} /2	0.05	100 100	V _{dd} -0.05	V pF Ω
REFERENCE Voltage Value Load Drive Capacitive Load Drive Power Supply Rejection Over Specified Temperature	Load directly connected to VREF VDD= 3.0V to 3.3V		1.23 1 100 1 ±5		V mA pF mV/V mV
POWER-UP RESPONSE Zero-rate settling time	To ±3°/sec		200		ms
NOISE PERFORMANCE Rate Noise Density			0.014		°/s/√Hz
POWER SUPPLY Operating Voltage Range Quiescent Supply Current Over Specified Temperature		3.0	±2	3.3 9.5	V mA mA
TEMPERATURE RANGE Specified Temperature Range Extended Temperature Range	Performance parameters are not applicable beyond Specified Temperature Range		0 to +70 -20 to +85		°C °C

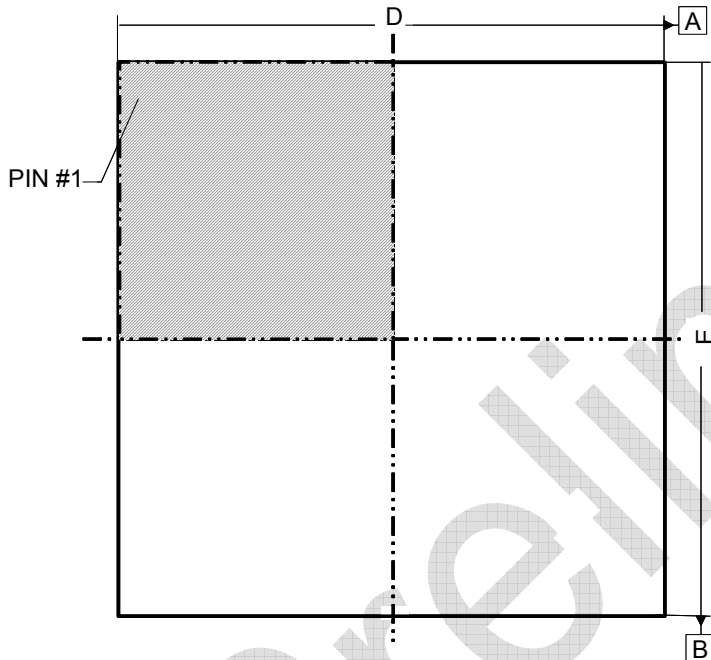
ABSOLUTE MAXIMUM RATINGS

Stress above those listed as “Absolute Maximum Ratings” may cause permanent damage to the device. This is a stress rating only and functional operation of the device under these conditions is not implied. Exposure to absolute maximum rating conditions for extended periods may affect device reliability.

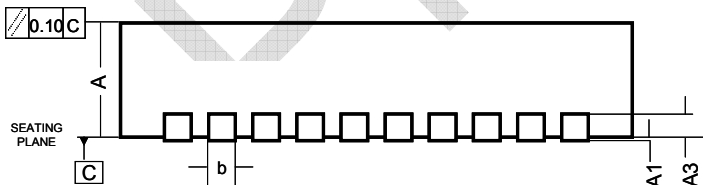
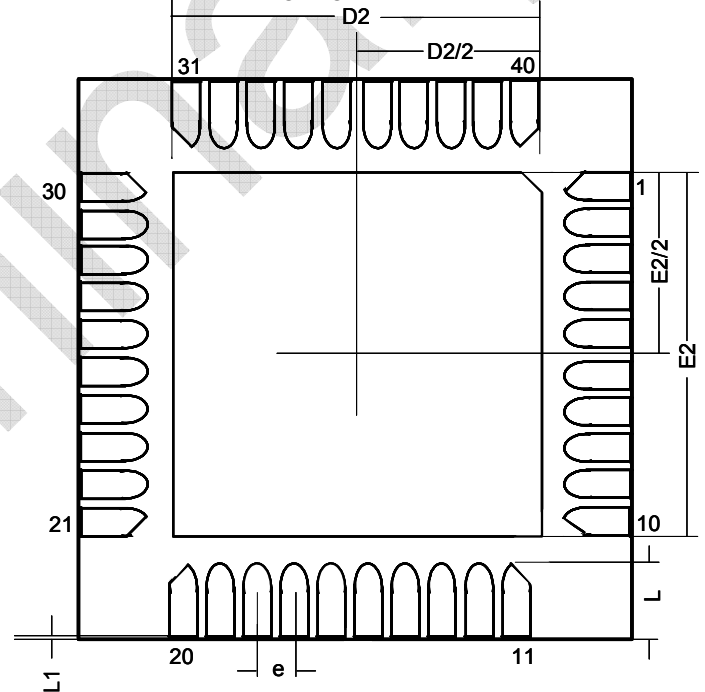
Parameter	Rating
Supply Voltage	-0.3V to +6.0V
Acceleration (Any Axis, unpowered)	5000g for 0.3ms
Operating Temperature Range	-40 to +105°C
Storage Temperature Range	-40 to +125°C

PACKAGE DIMENSIONS (all dimensions in mm)

TOP VIEW



BOTTOM VIEW

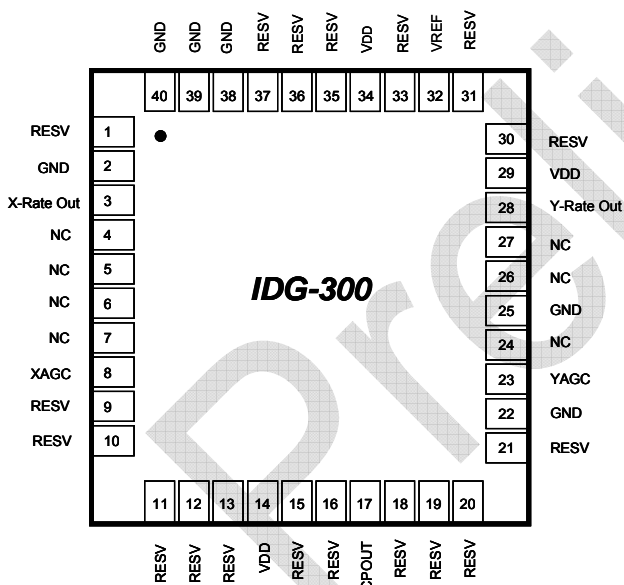


SIDE VIEW

SYMBOL	Common					
	Dimensions Millimeter			Dimensions Inch		
	Min	Nom	Max	Min	Nom	Max
A	1.30	1.40	1.50	0.051	0.055	0.059
A1	0.00	0.02	0.05	0.00	0.001	0.002
A3	0.20 BSC			0.008 BSC		
b	0.18	0.25	0.30	0.007	0.010	0.012
D	5.925	6.00	6.075	0.233	0.236	0.239
E	5.925	6.00	6.075	0.233	0.236	0.239
e	0.50 BSC			0.020 BSC		
L	0.35	0.40	0.45	0.014	0.016	0.239
L1	0.03	0.09	0.15	0.002	0.004	0.006
D2	4.50	4.65	4.80	0.177	0.183	0.189
E2	4.50	4.65	4.80	0.177	0.183	0.189

PIN DESCRIPTION

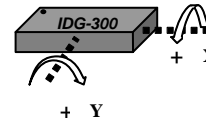
Number	Pin	Description
2, 22, 25, 38, 39, 40	GND	Ground
14, 29, 34	VDD	Positive supply voltage: +3.0V to +3.3V
3	X-Rate Out	X-Rate Out
8	XAGC	Amplitude control filter (See Design Notes: Section 2)
17	CPOUT	Charge pump capacitor
23	YAGC	Amplitude control filter (See Design Notes: Section 2)
28	Y-Rate Out	Y-Rate Out
32	VREF	1.23V precision reference output
1, 9, 10, 11, 12, 13, 15, 16, 18, 19, 20, 21, 30, 31, 33, 35, 36, 37	RESV	Reserved. Do not connect. Used for factory trimming
4, 5, 6, 7, 24, 26, 27	NC	Not internally connected; may be used for PCB routing

PIN CONNECTION (TOP VIEW)


40 pin QFN Package
6 x 6 x 1.5mm

RATE SENSITIVE AXIS

This is a dual-axis rate sensing device. It produces a positive output voltage for rotation about the X- or Y-axis, as shown in the figure below.



DESIGN NOTES
1. Overview

The IDG-300 gyro is a dual-axis gyroscope consisting of two independent vibratory MEMS gyroscopes. One detects rotation about the X-axis; the other detects rotation about the Y-axis. Each structure is fabricated using InvenSense's proprietary bulk silicon technology. The structures are covered and hermetically sealed at the wafer-level. The cover shields the gyro from EMI.

The gyroscope's proof-masses are electrostatically oscillated at resonance. An internal automatic gain control circuit precisely sets the oscillation of the proof masses. When the sensor is rotated about the X- or Y-axis, the Coriolis effect causes a vibration that can be detected by a capacitive pickoff. The resulting signal is amplified, demodulated, and filtered to produce an analog voltage that is proportional to the angular rate.

2. Amplitude Control

The scale factor of the gyroscope depends on the amplitude of the mechanical motion and the trim setting of the internal programmable gain stages. The oscillation circuit precisely controls the amplitude to maintain constant sensitivity over the temperature range. The capacitors (0.22 μ F, \pm 10%) connected to Pin 8 (XAGC) and Pin 23 (YAGC) are compensation capacitors for the amplitude control loops.

3. External Low-Pass Filter

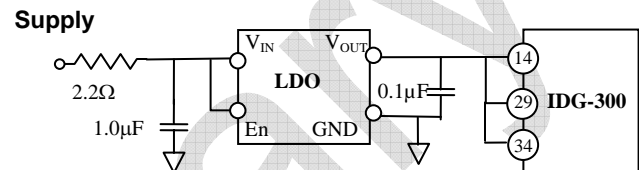
An external low-pass filter is recommended to attenuate high-frequency noise. The cutoff frequency should be less than 2 kHz to attenuate tones above 10 kHz generated by the vibrating proof-masses. Recommended RC values for the 2 kHz filter are RLPX/RLPY and CLPX/CLPY are 750 Ω and 0.1 μ F respectively. The sensor bandwidth is limited to 140 Hz by the internal low-pass filter. Applications that require lower bandwidth should choose an external filter with a cutoff frequency less than 140Hz.

4. Scale Factor

The IDG-300 Rate-Out is not ratiometric to the supply voltage. The scale factor is calibrated at the factory and is nominally independent of supply voltage.

5. Power Supply Filtering

The IDG-300 gyro should be isolated from system power supply noise by a combination of an RC filter that attenuates high frequency noise and a Low Drop Out power supply regulator (LDO) that attenuates low frequency noise. Figure below shows a typical configuration.



The low-pass RC filter should be chosen such that it provides significant attenuation of system noise at high frequencies. The LDO should be a low noise regulator (<100 μ V/rtHz) that exhibits good noise rejection at low frequencies.

6. VREF

VREF is a temperature independent voltage reference that can be used as a reference for an ADC. There is offset between the zero rate output and VREF.

PROLIMINARY

This information furnished by InvenSense is believed to be accurate and reliable. However, no responsibility is assumed by InvenSense for its use, or for any infringements or patents or other rights of third parties that may result from its use. Specifications are subject to change without notice. Certain intellectual property owned by InvenSense and described in this document is patent protected. No license is granted by implication or otherwise under any patent or patent rights of InvenSense. This publication supersedes and replaces all information previously supplied. Trademarks that are registered trademarks are the property of their respective companies. InvenSense products are not authorized for use as critical components in life support devices or systems without express written approval of InvenSense.

©2006 InvenSense, Inc. All rights reserved.

