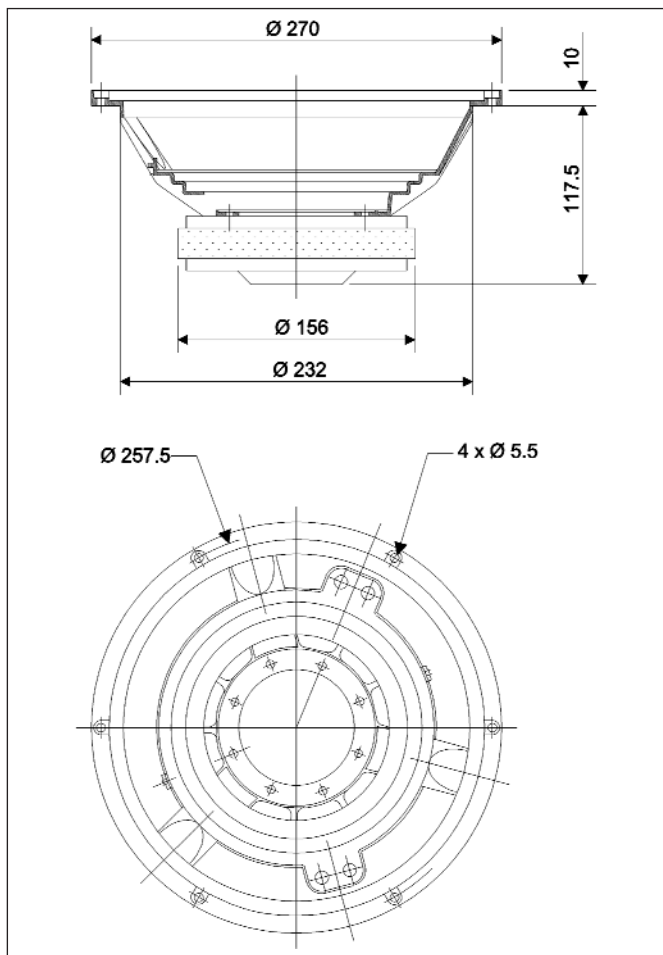


AUDIOPHILE SERIES

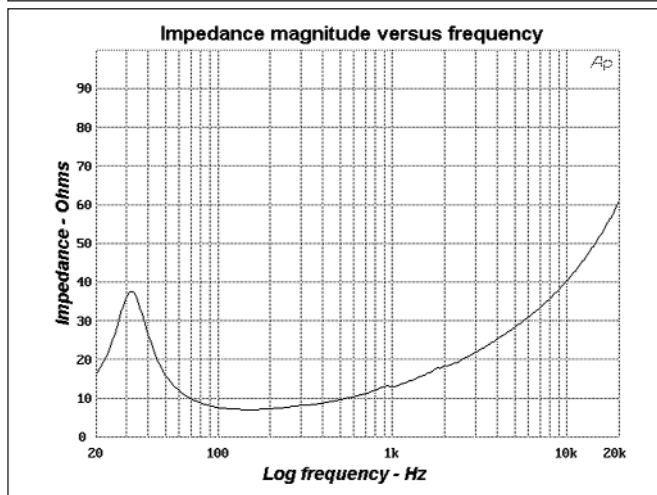
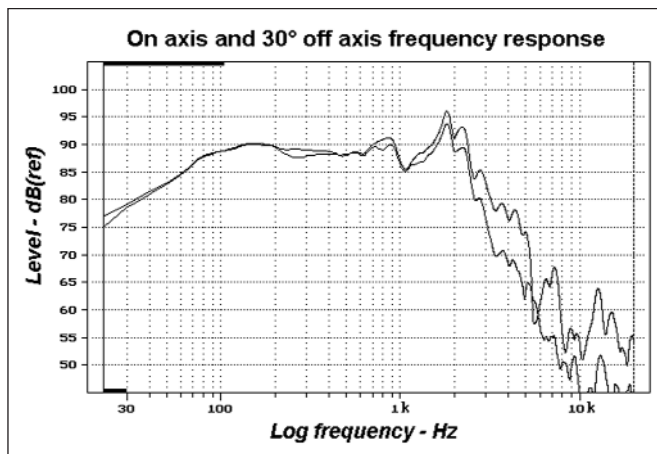
- Thick zamak alloy metal cast frame
- Straight profile Polyglass cone, large rubber surround
- Long throw 50 mm voice coil, black aluminium former
- Efficiency : 90 dB
- Extended bass response in 85 l vented systems, very low distortion



DRAWING



MEASUREMENTS



SPECIFICATIONS

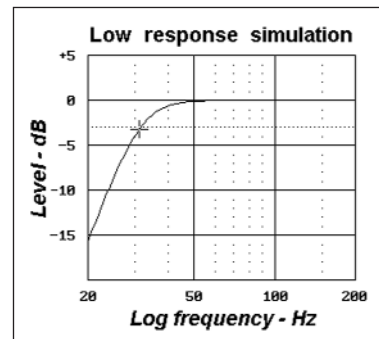
Nominal power handling	175	W
Program power handling	225	W
Sensitivity	90	dB (2.8V/1m)
Cone	Polyglass	
Surround	Rubber	
Nominal impedance	8	Ω
DC resistance	6	Ω
VC diameter	50	mm
VC height	26	mm
Former	Black Aluminium	
Layers	1	
Wire	Copper	
Inductance	1.16	mH
Xmax	9	mm
Magnet diameter x height	156 x 20	mm x mm
Magnet weight	1412	g
Flux density	0.91	T
Gap height	8	mm
Net weight	5	kg

PARAMETERS

Fs	30.8	Hz
Vas	94.3	l
Qts	0.36	
Qes	0.42	
Qms	2.62	
Re	5.8	Ω
Sd	359.7	cm ²
Cas	671E-9	m ² /N
Mas	39.8	kg/m ⁴
Ras	2 938.7	Ω.ac
Cms	519E-6	m/N
Mms	51.5	g
Rms	3 802	g/s
Ces	371.0	μF
Les	72.0	mH
Res	36.5	Ω
Bl	11.8	N/A
SPL	90.0	dB/W/m

SIMULATION

Ql:	7	Ω
Rg:	0.8	
Qts (+Rg):	0.40	



Vb:	85	l
Fb:	31.2	Hz
F-3:	31.0	Hz