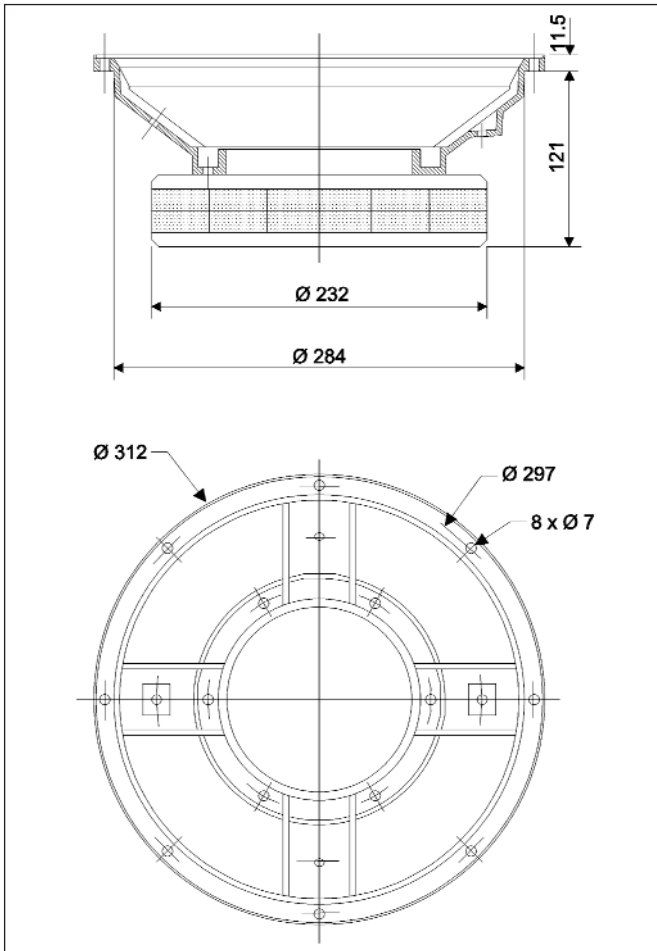


AUDIOM SERIES

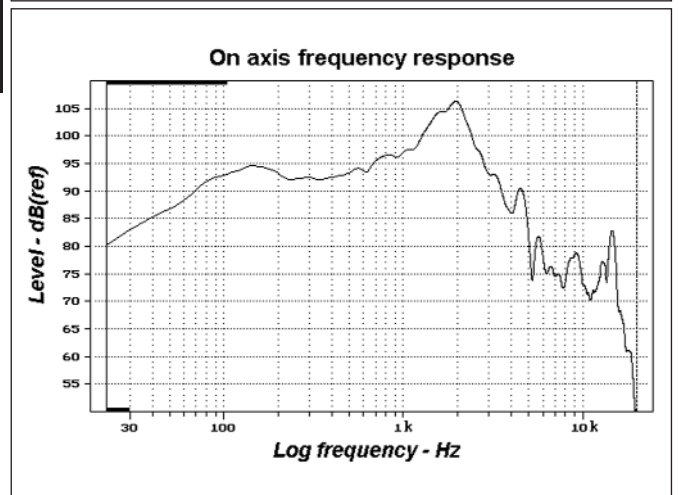
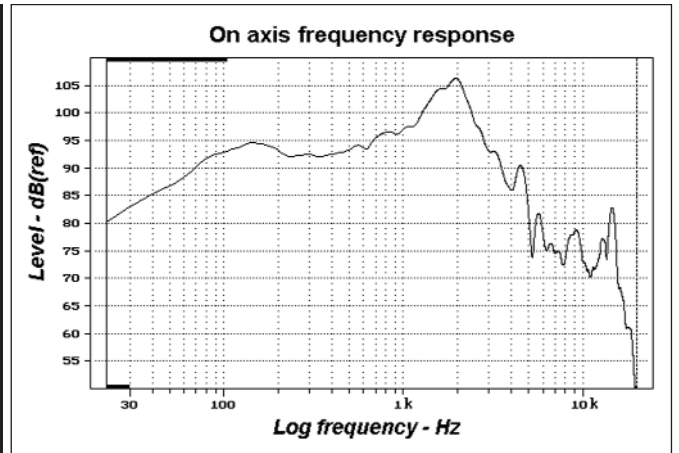
- Thick aluminium sand cast frame
- Straight profile coated paper cone, very compliant coated fabric surround
- Very short edgewound flat copper wire 77 mm voice coil, Kapton™ former
- Efficiency : 94.7 dB
- Remarkable in mid-size vented high efficiency systems (100 l)



DRAWING



MEASUREMENTS



SPECIFICATIONS

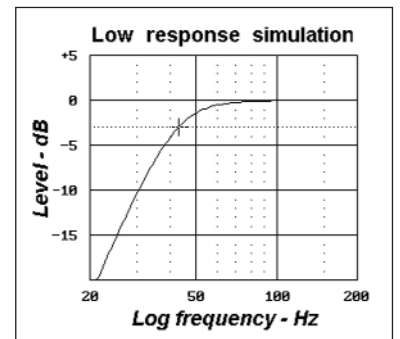
Nominal power handling	100	W
Program power handling	150	W
Sensitivity	94.7	dB (2.8V/1m)
Cone	Coated Paper	
Surround	Coated Fabric	
Nominal impedance	8	Ω
DC resistance	6	Ω
VC diameter	77	mm
VC height	6.5	mm
Former	Kapton™	
Layers	1	
Wire	Copper	
Inductance	0.74	mH
Xmax	4.45	mm
Magnet diameter x height	235 multi magnets	mm x mm
Magnet weight	233 x 12	g
Flux density	1.2	T
Gap height	10	mm
Net weight	11.5	kg

PARAMETERS

Fs	30.7	Hz
Vas	226.0	l
Qts	0.33	
Qes	0.34	
Qms	9.82	
Re	6.2	Ω
Sd	510.7	cm²
Cas	161E-8	m²/N
Mas	16.7	kg/m⁴
Ras	328.4	Ω.ac
Cms	617E-6	m/N
Mms	43.6	g
Rms	856	g/s
Ces	284.8	μF
Les	94.4	mH
Res	178.8	Ω
Bl	12.4	N/A
SPL	94.7	dB/W/m

SIMULATION

Ql:	7	Ω
Rg:	0.0	
Qts (+Rg):	0.33	



Vb:	100	l
Fb:	37.1	Hz
F-3:	42.7	Hz