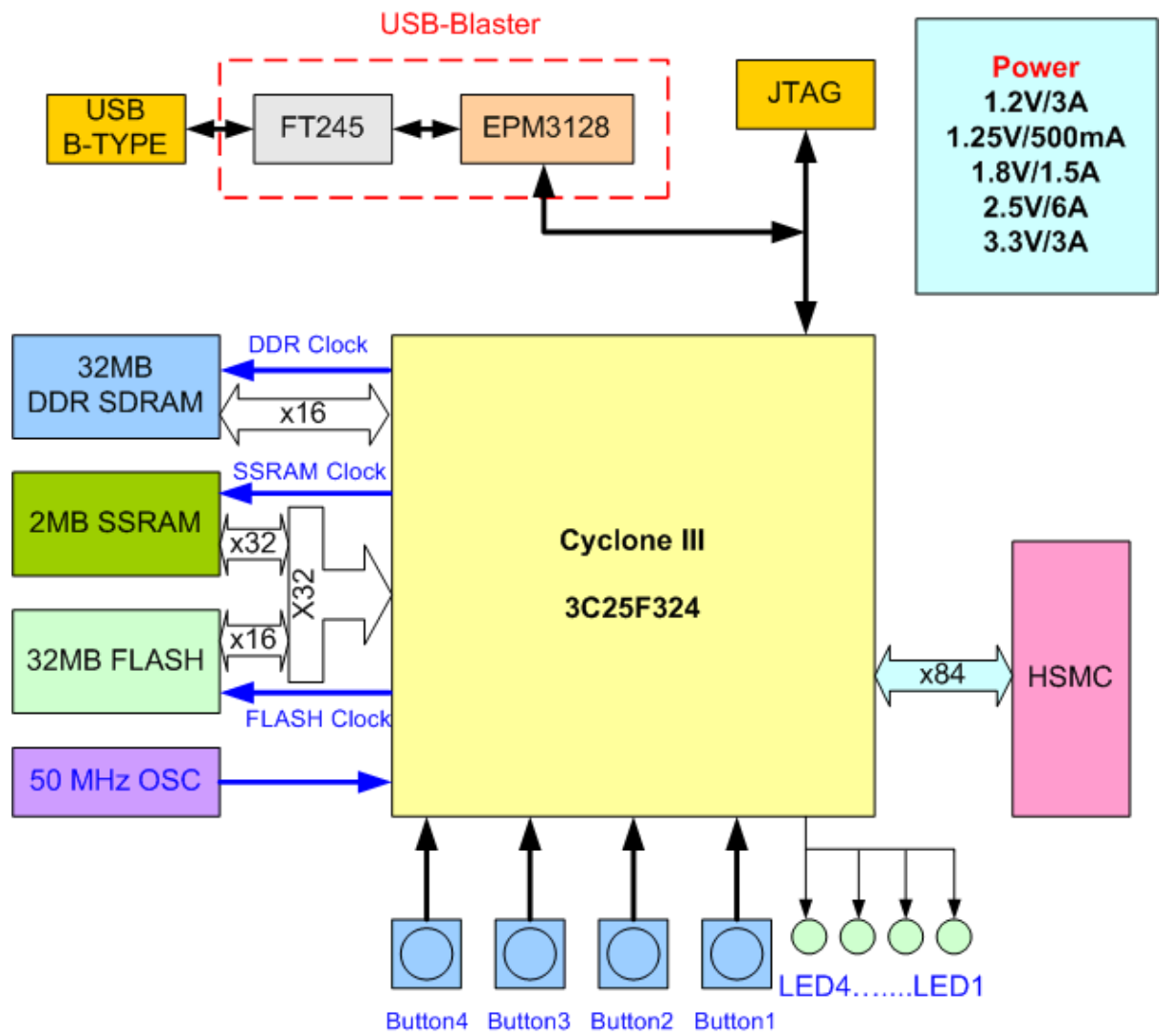
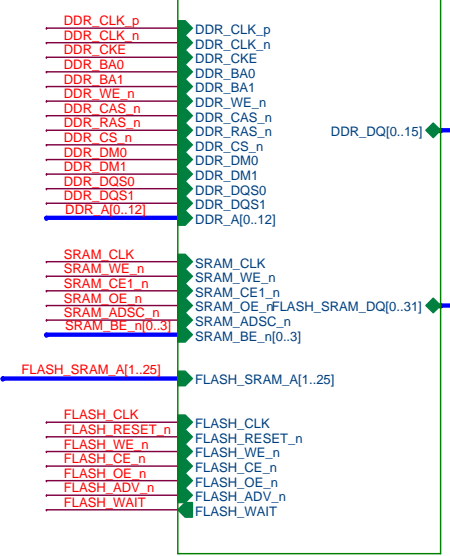


Cyclone III Starter Board

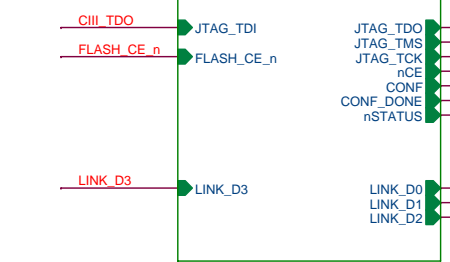
SCHEMATIC	CONTENT	PAGE
TOP	COVER PAGE, TOP	01 ~ 03
EP3C25	EP3C25 BANK1..BANK8, POWER, CONFIG	04 ~ 08
IN/OUT	CLOCK, LEVEL SHIFT, KEY, CONNECT, HSMC	09 ~ 11
MEMORY	DDR, SSRAM, FLASH	12 ~ 14
POWER	POWER	15 ~ 16
USB BLASTER	USB BLASTER	17 ~ 17



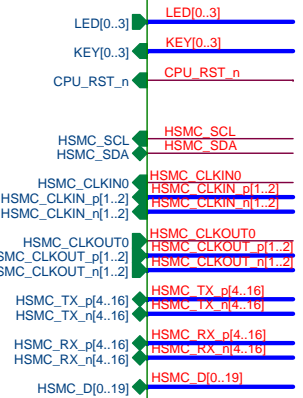
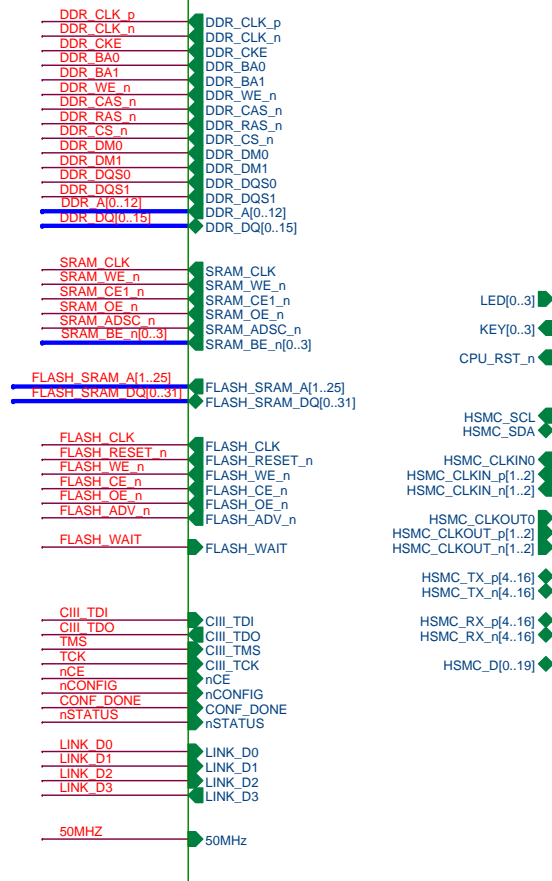
Memory PAGE 12-14



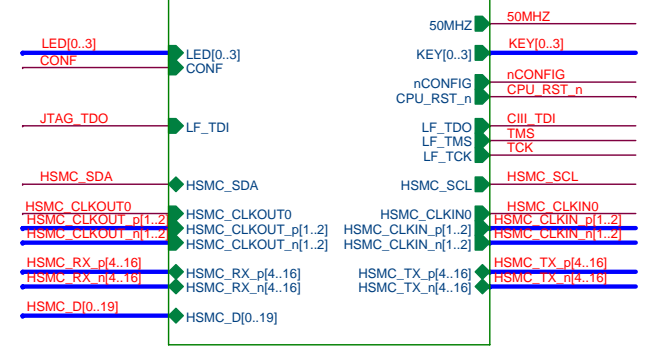
USB BLASTER PAGE 17



EP3C25 PAGE 4-8

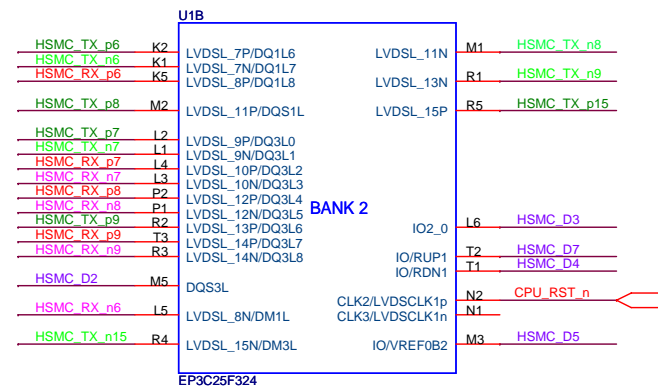
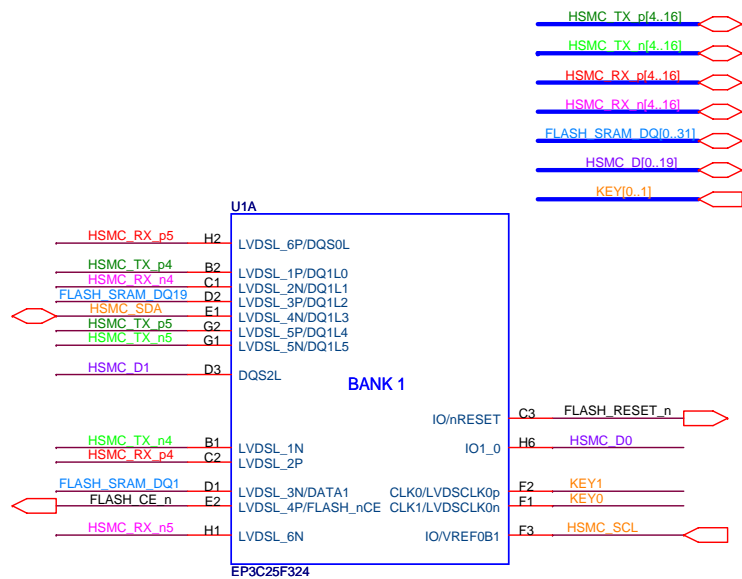


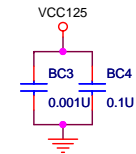
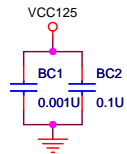
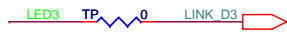
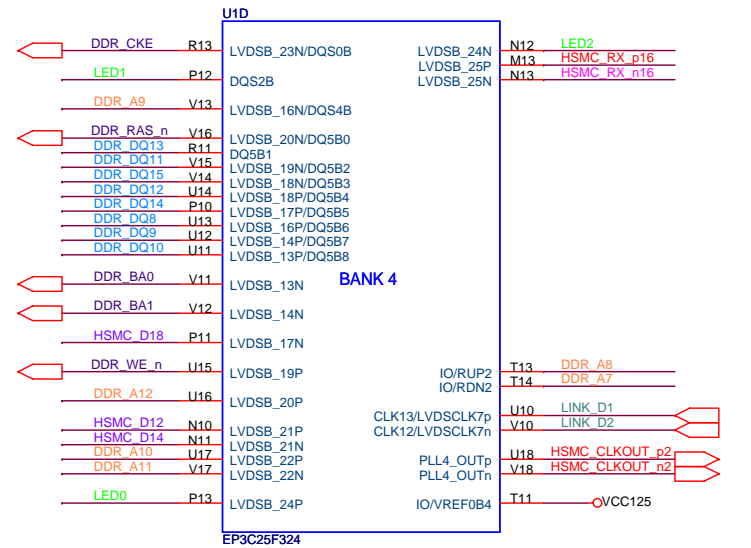
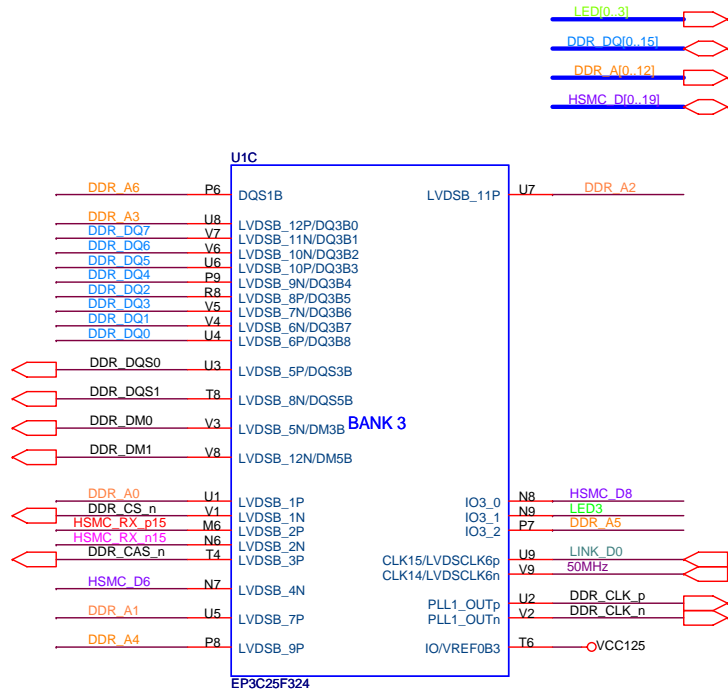
Clock, LED, Tact SW, HSMC PAGE 9-11



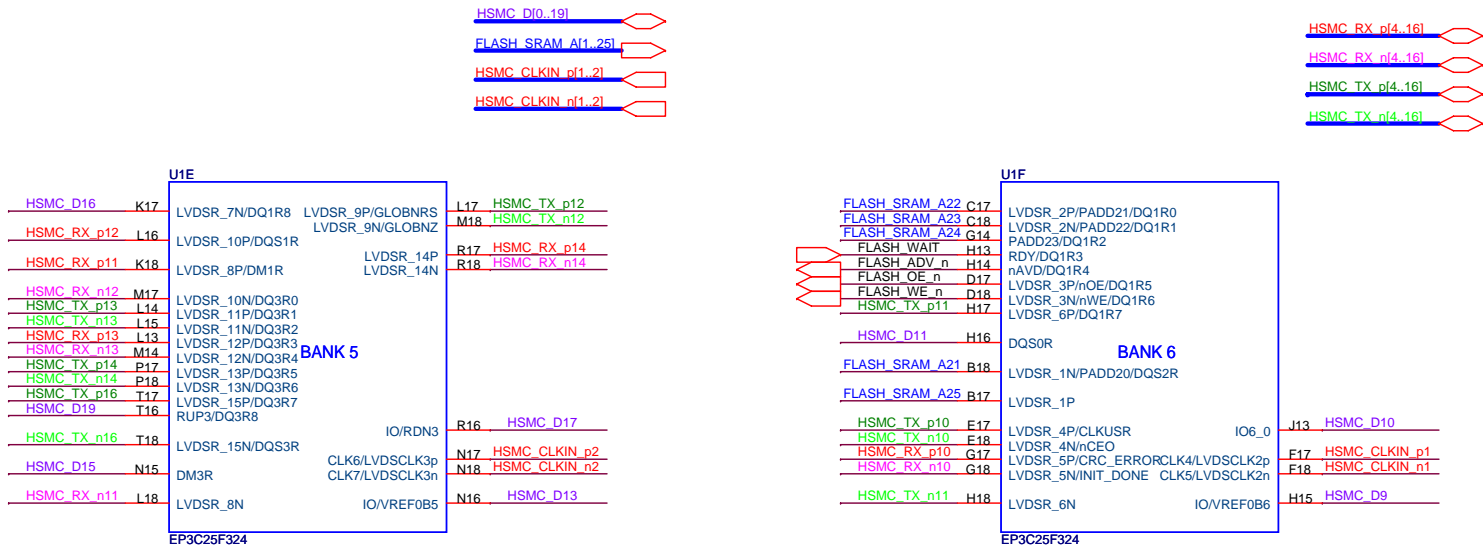
Power PAGE 15-16

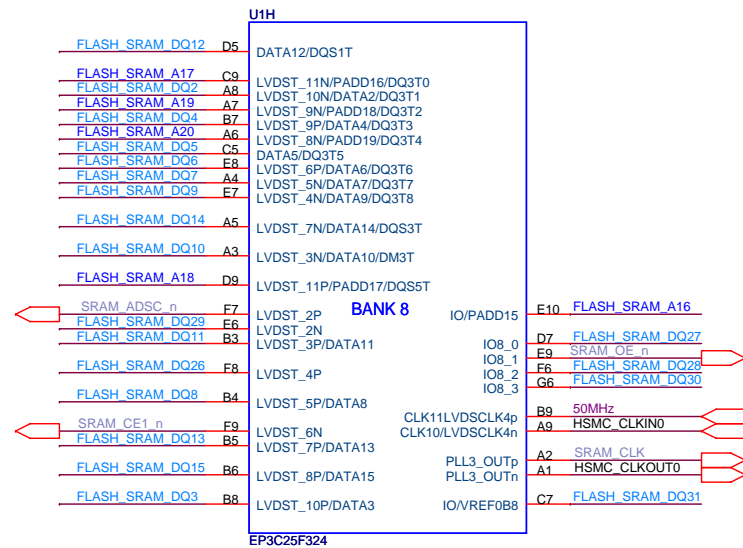
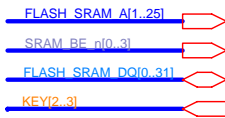
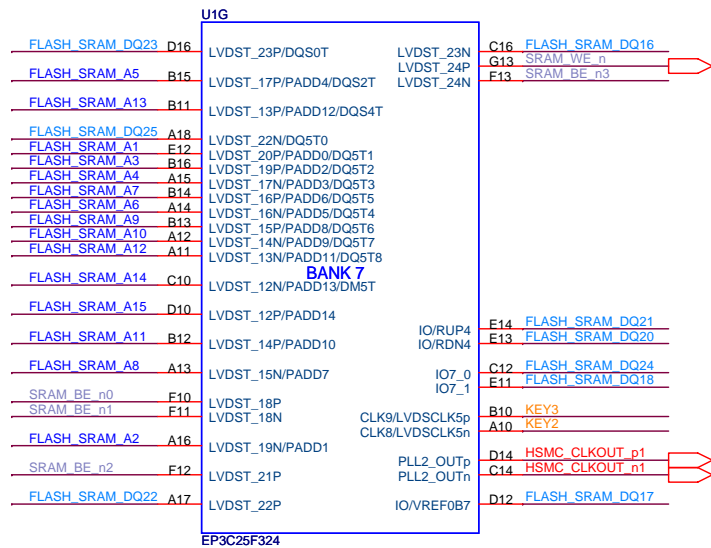


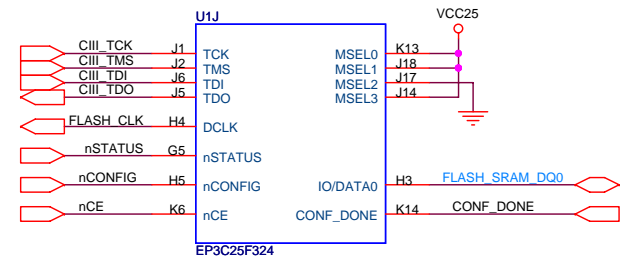
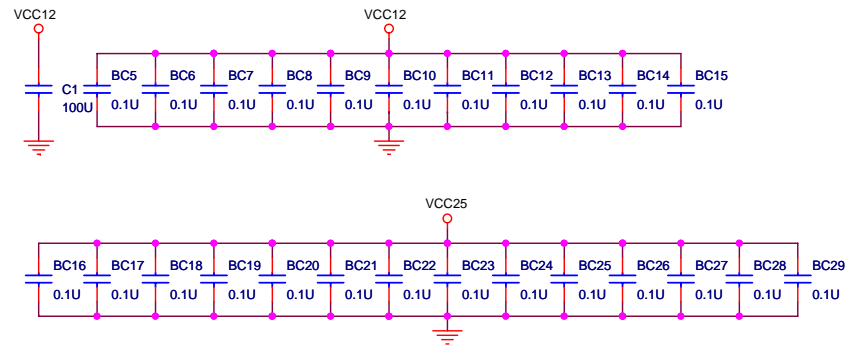
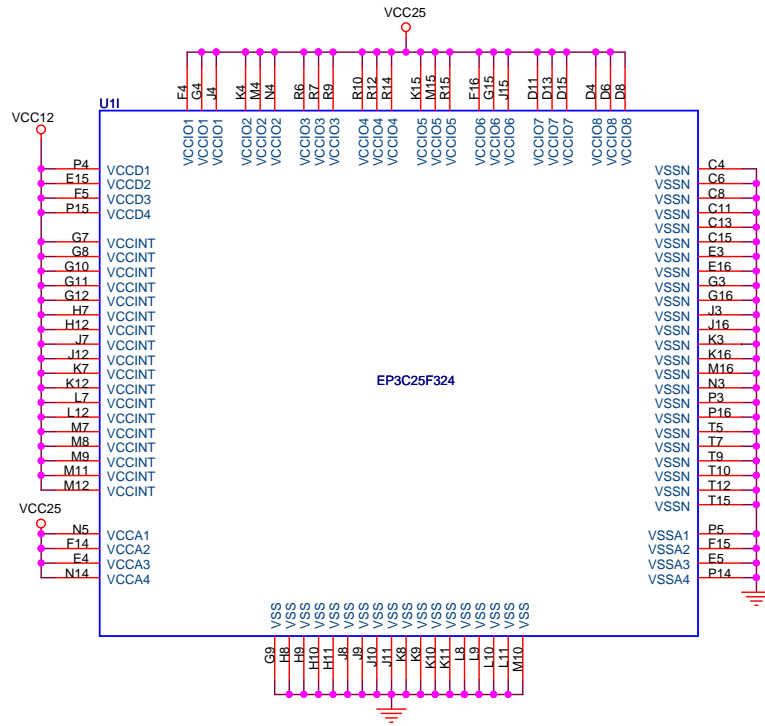


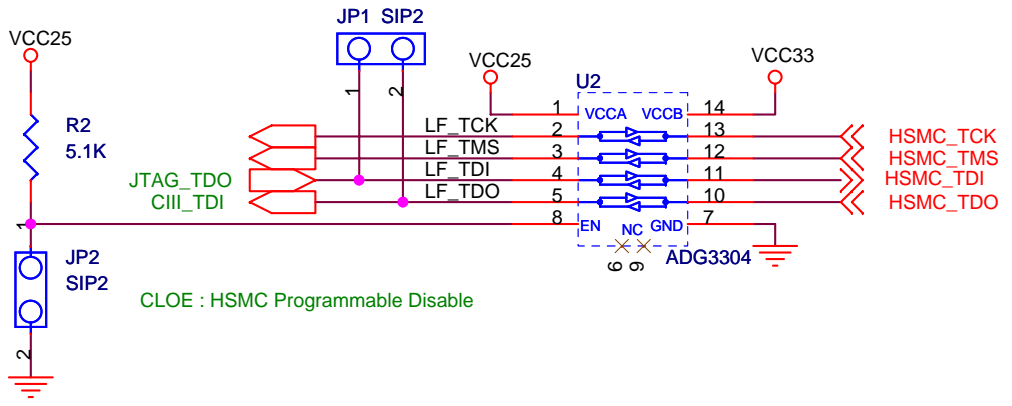
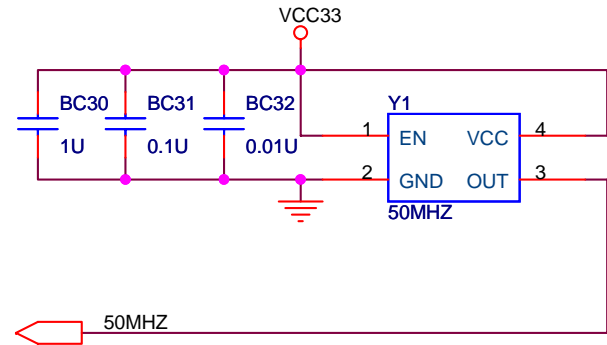


Title		
Altera Cyclone III Eval Board		
Size	Document Number	Rev
B	EP2C35 BANK3(I/O : 2.5V) and BANK 4(I/O : 3.3V)	1.2
Date:	Tuesday, April 17, 2007	Sheet 5 of 17

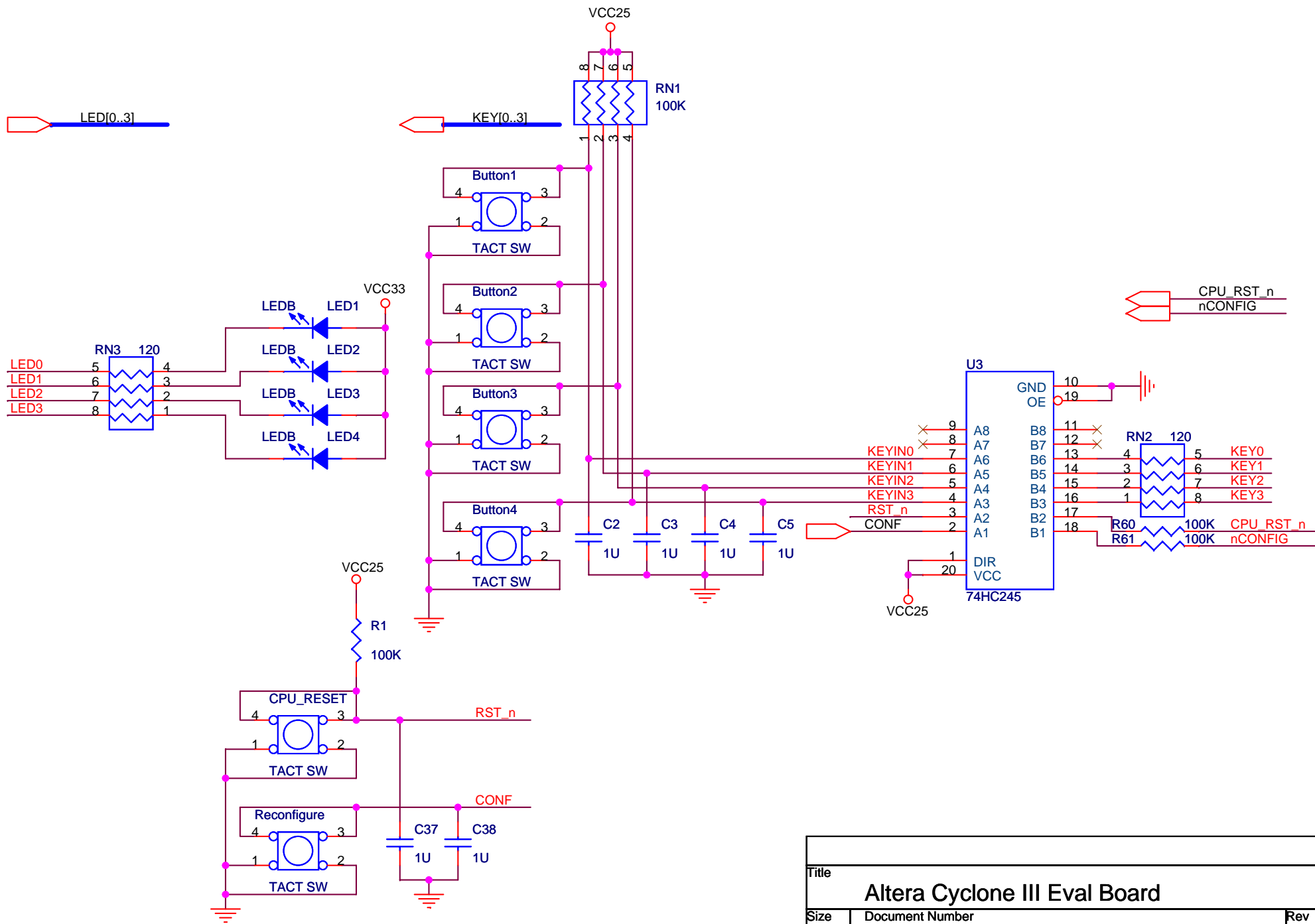




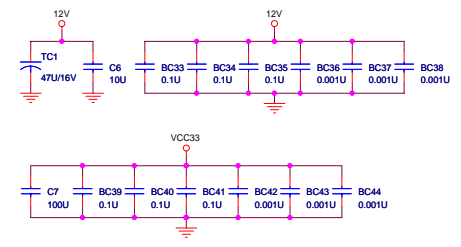
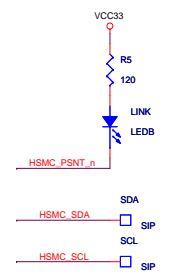
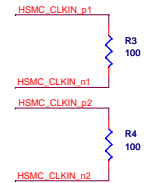
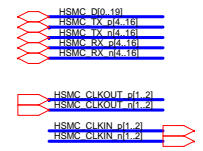
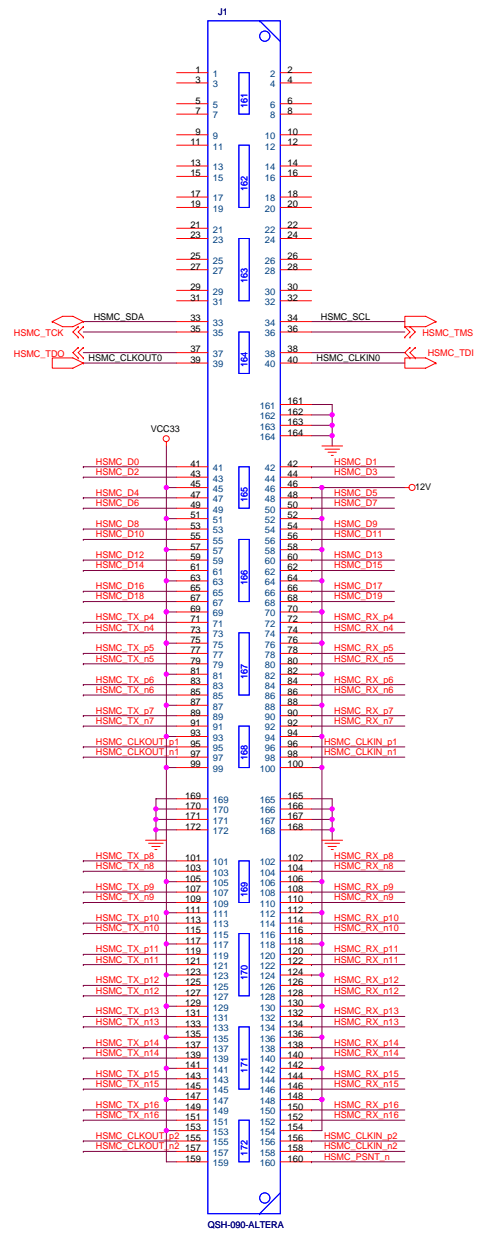


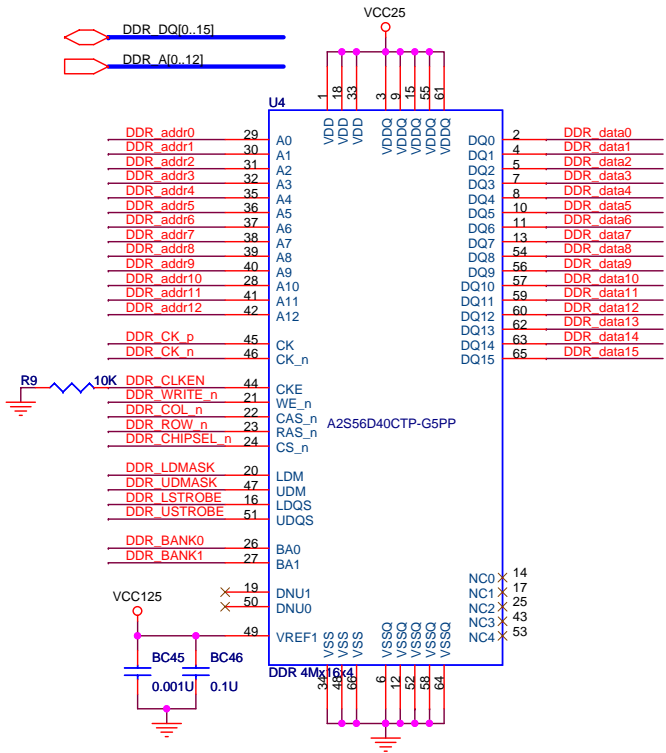
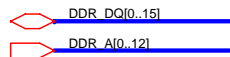


Title		
Altera Cyclone III Eval Board		
Size	Document Number	Rev
A	CLOCK and Level Shift	1.2
Date:	Tuesday, April 17, 2007	Sheet 9 of 17



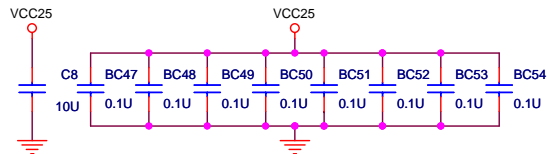
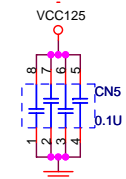
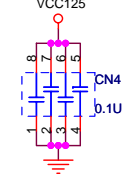
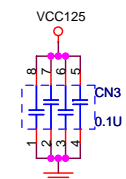
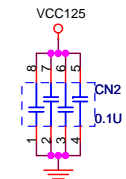
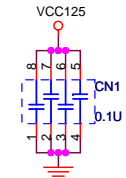
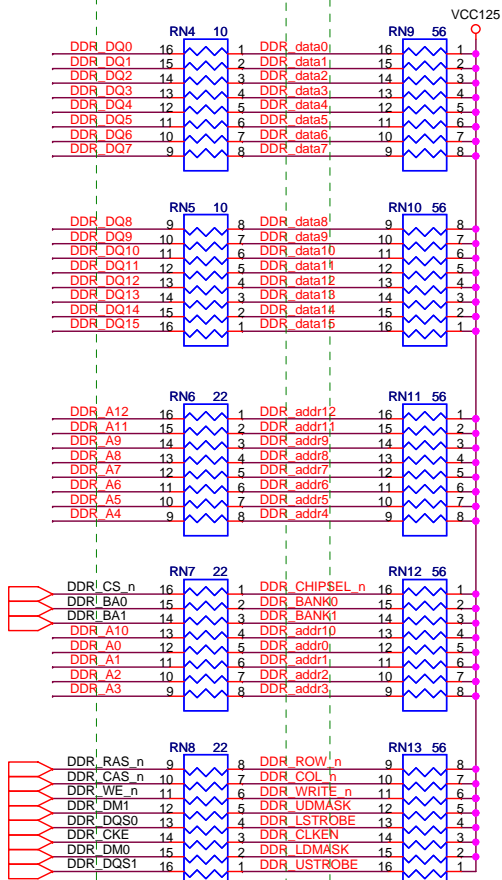
Title		
Altera Cyclone III Eval Board		
Size A	Document Number LED and TACT SW	Rev 1.2
Date:	Tuesday, April 17, 2007	Sheet 10 of 17





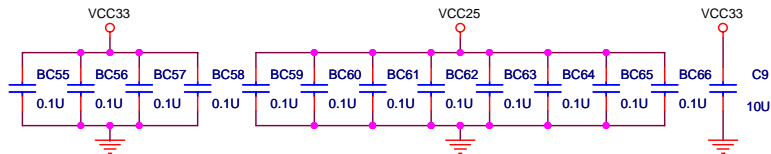
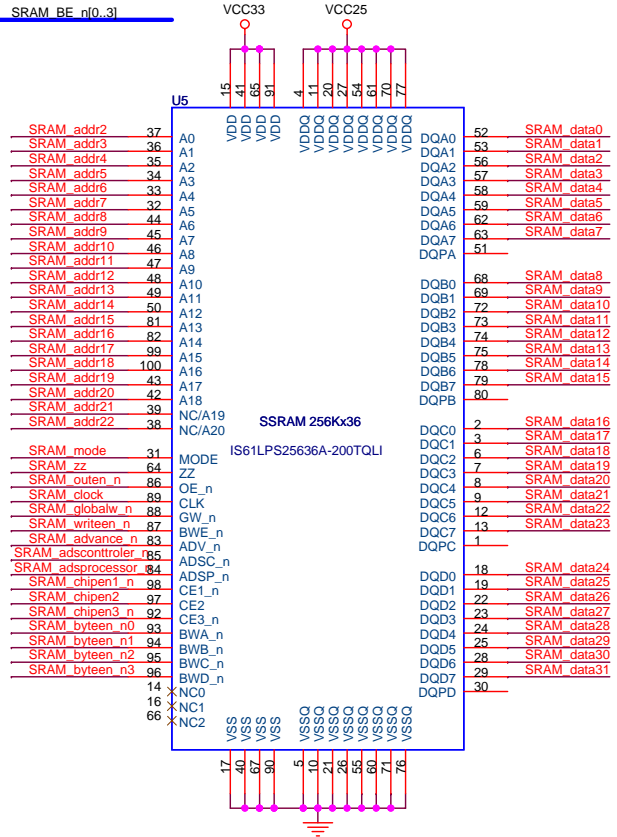
Place these resistors as close to the PLD U2 as possible

Place the pull up resistors just past U2 so that each trace tags the pin that it is routed to and then goes through the resistor to VTT_DDR

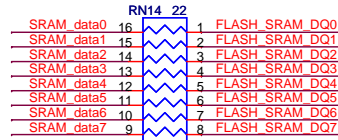


Title		
Altera Cyclone III Eval Board		
Size	Document Number	Rev
B	DDR SDRAM	1.2
Date:	Tuesday, April 17, 2007	Sheet 12 of 17

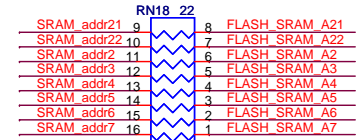
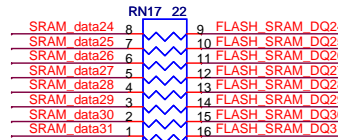
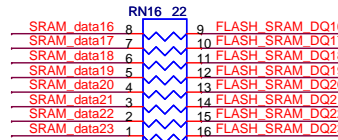
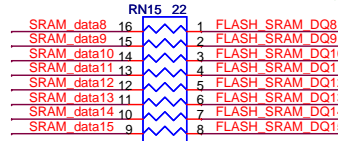
FLASH_SRAM_DQ[0..31]
 FLASH_SRAM_A[2..22]
 SRAM_BE_n[0..3]



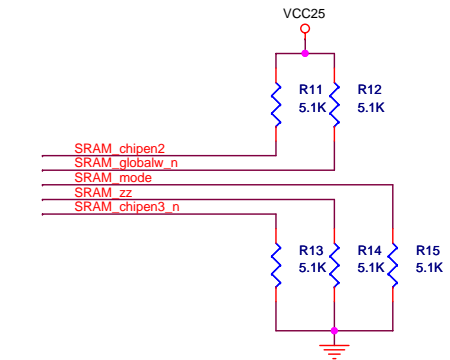
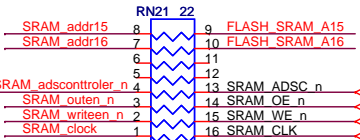
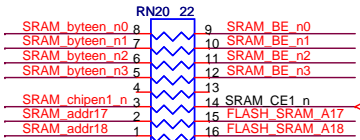
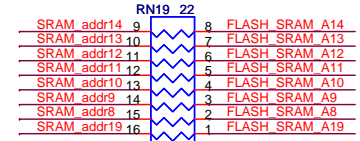
SRAM_OE_n R16 5.1K
 SRAM_CE1_n R17 5.1K
 SRAM_advance_n R18 5.1K
 SRAM_adsprocessor_n R19 5.1K



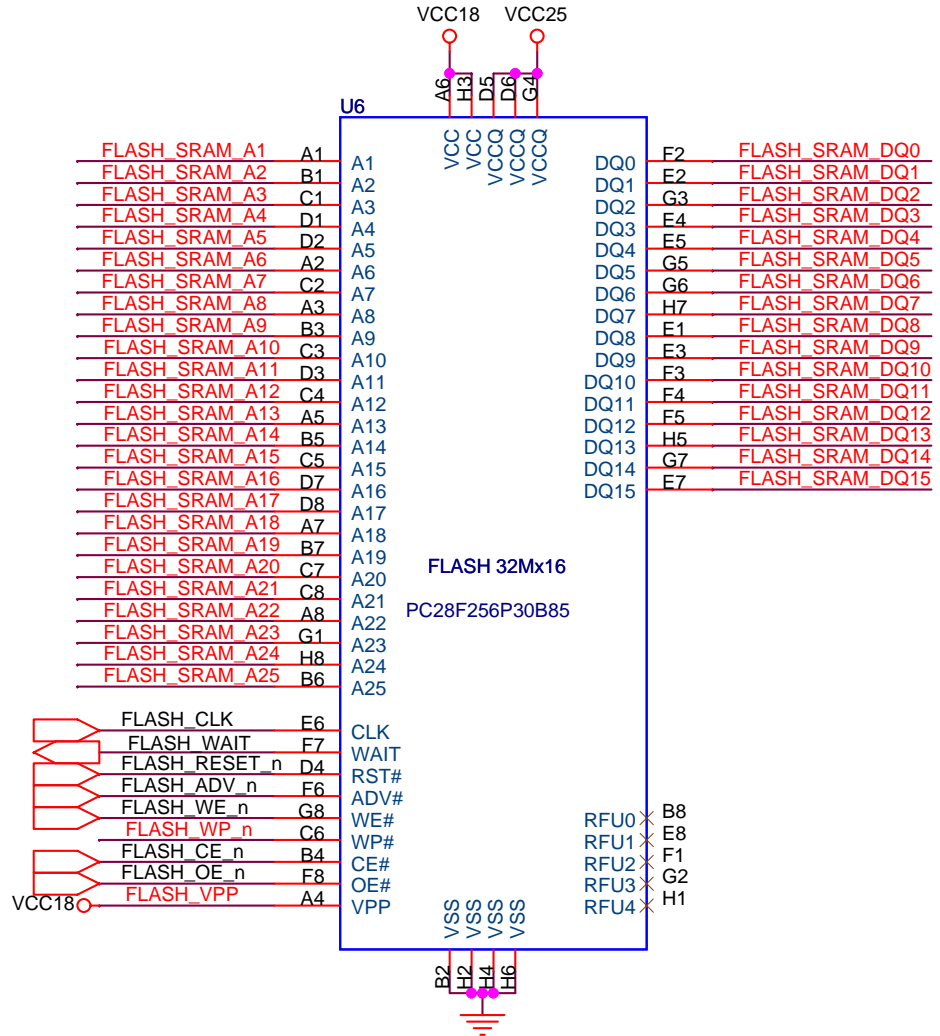
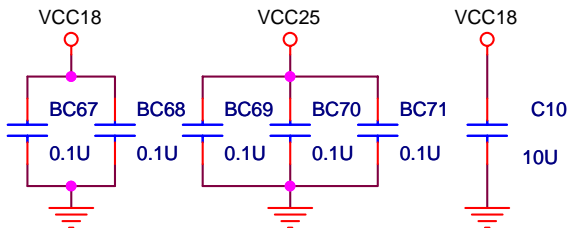
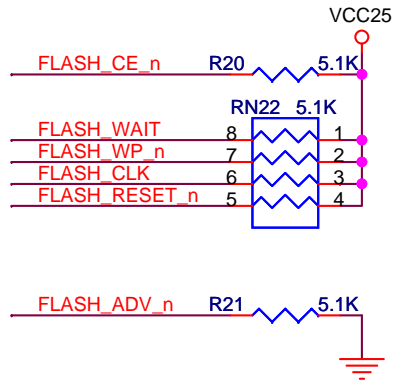
Place these terminations in the middle of the line



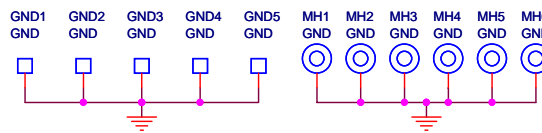
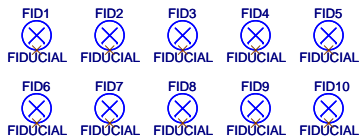
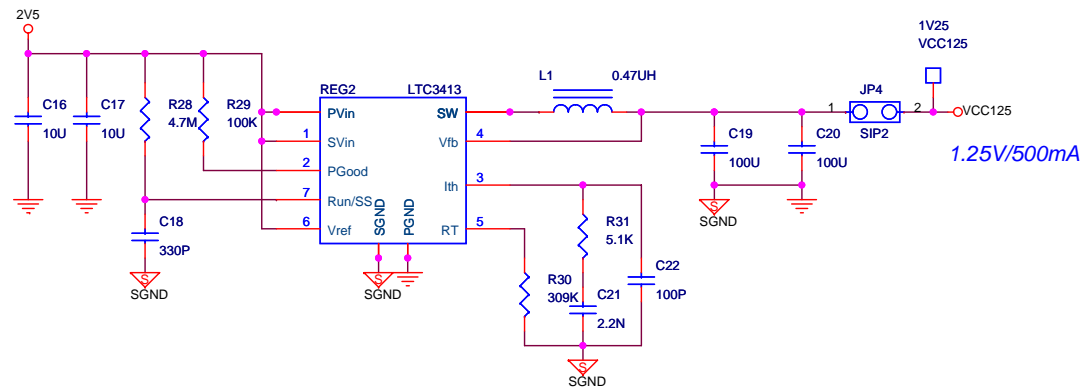
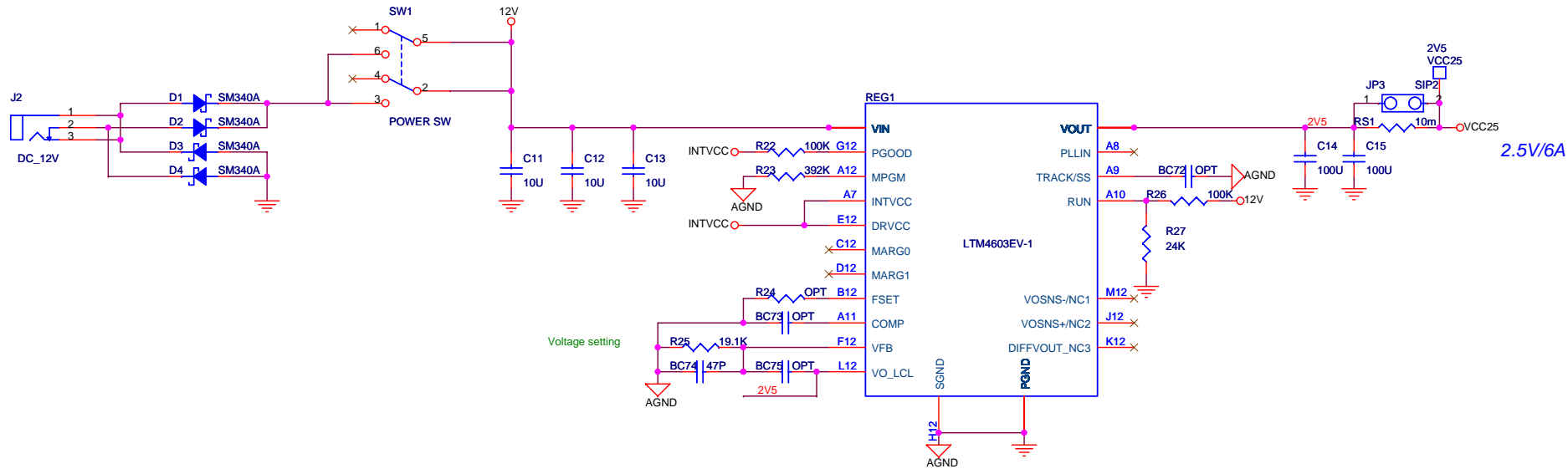
Place these terminations in the middle of the line



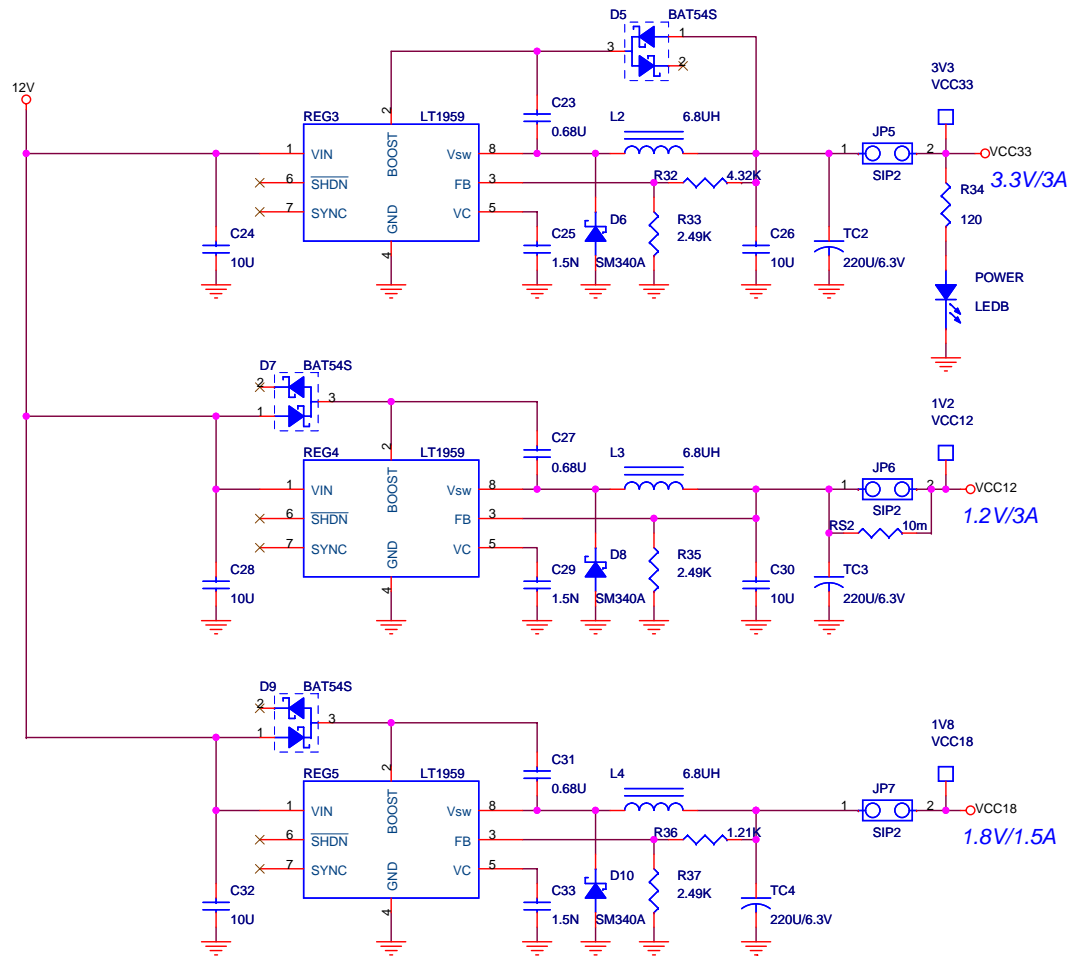
FLASH SRAM DQ[0..15]
FLASH SRAM A[1..25]



Title		
Altera Cyclone III Eval Board		
Size A	Document Number Intel FLASH 32Mx16bit	Rev 1.2
Date:	Tuesday, April 17, 2007	Sheet 14 of 17

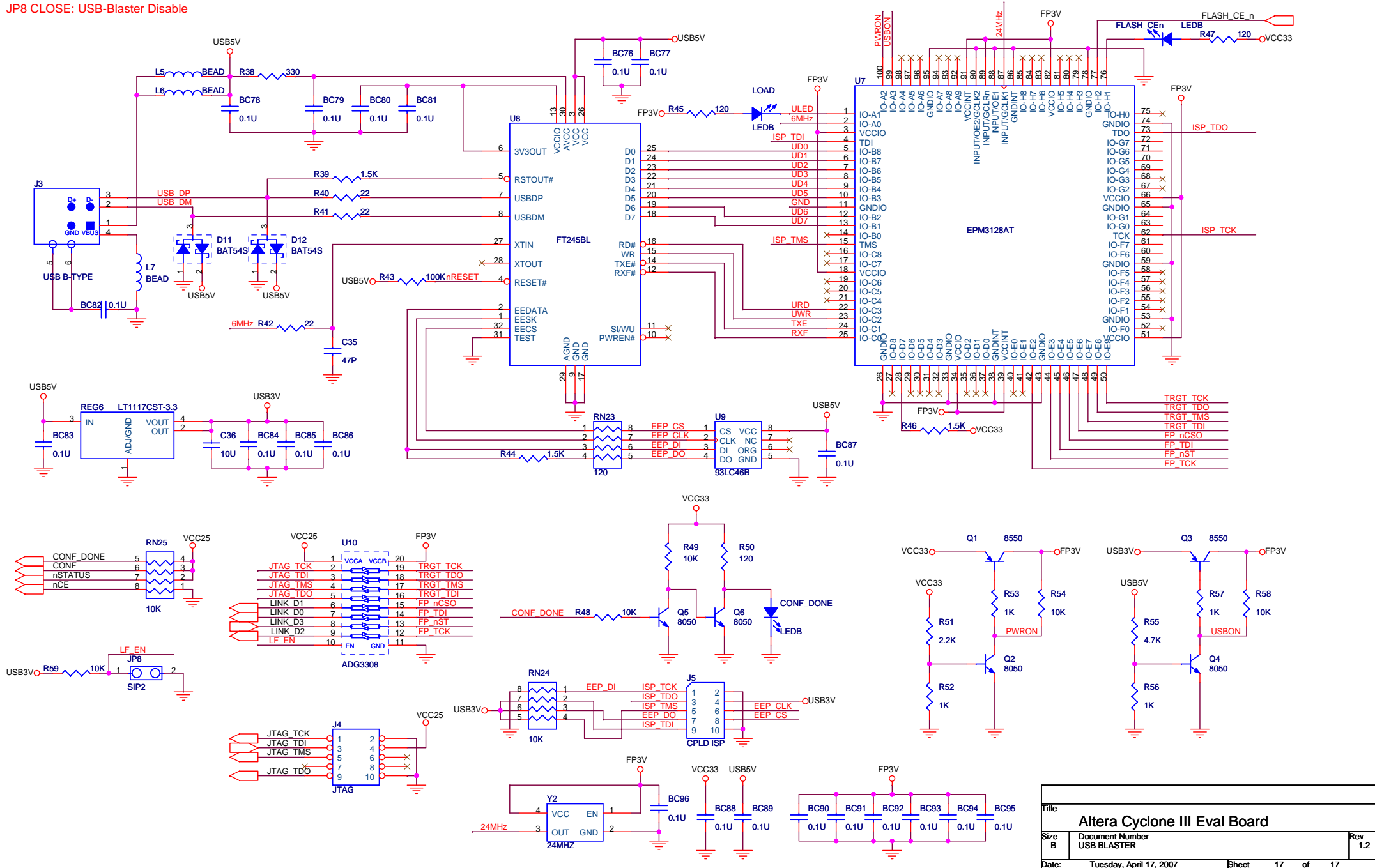


Title		
Altera Cyclone III Eval Board		
Size	Document Number	Rev
B	LTM4603EV-1 : 2.5V/6A, LTC3413EFE:1.25V +/-0.5A	1.2
Date:	Tuesday, April 17, 2007	Sheet 15 of 17



Title		
Altera Cyclone III Eval Board		
Size	Document Number	Rev
B	LT1959 : 3.3V/3A, 1.2V/3A, 1.8V/1.5A	1.2
Date:	Tuesday, April 17, 2007	Sheet 16 of 17

JP8 CLOSE: USB-Blaster Disable



Title		
Altera Cyclone III Eval Board		
Size	Document Number	Rev
B	USB BLASTER	1.2
Date:	Tuesday, April 17, 2007	Sheet 17 of 17